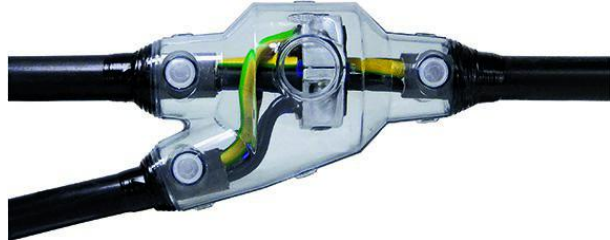


Cast resin branch joint

for polymeric cables

Universally suitable for branching polymeric cables or conductors insulated with PVC, PE, XLPE and EPR (e.g. N(A)YY, NYM, TT) with or without concentric conductor. With hydrolysis resistance PUR cast resin GG. Suitable for branch clamps on copper and aluminium conductors.



Product description

Article name	Y 2 GG
Article number	353815
Optional accessory	Branch clamp HE 1/70/150 (see Connecting technology)
	Screw branch clamp AK (see Connecting technology)
	Cleaner UNIVERSAL CLEANER 121 (see Accessories)
	Branch clamp KP (see Connecting technology)
	Split bolt clamp FK (see Connecting technology)

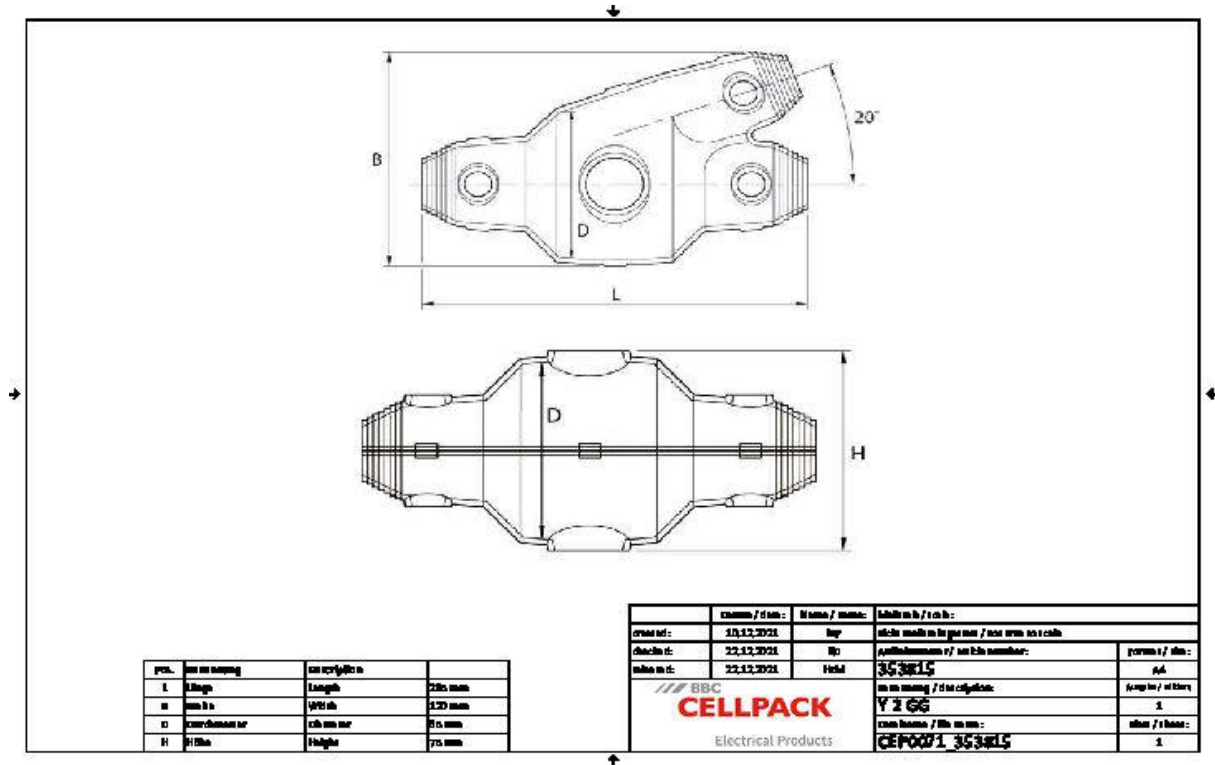
Characteristics

Compact dimensions
High-quality transparent shockproof plastic shell
Resistant to chemical agents
Stabilized against UV rays
Resistant to alkaline earth elements
Longitudinally and transversely watertight
High electrical insulating values
High mechanical strength
Ready for immediate operation
Quick, safe and easy assembly
Large filler aperture to facilitate casting

Applications

Indoor
Outdoor
Underground
Water
Installation ducts

Technical data



Article name	Y 2 GG
Article number	353815
Voltage levels	U0/U (Um) 0,6/1 (1,2) kV
Test standards	EN 50393
Length L	285 mm
Width B	120 mm
Height H	75 mm
Diameter D	65 mm
Diameter cable Main cable max	34 mm
Diameter cable Branch cable max	30 mm
Nominal cross section Main cable Polymeric cable unarmoured per conductor 3x max	25 mm ²
Nominal cross section Branch cable Polymeric cable unarmoured per conductor 3x max	25 mm ²
Nominal cross section Main cable Polymeric cable unarmoured per conductor 4x max	25 mm ²
Nominal cross section Branch cable Polymeric cable unarmoured per conductor 4x max	25 mm ²
Nominal cross section Main cable Polymeric cable unarmoured per conductor 5x max	25 mm ²
Nominal cross section Branch cable Polymeric cable unarmoured per conductor 5x max	25 mm ²
Nominal cross section Main cable Polymeric cable with concentric conductor per conductor 3x max	16 mm ²

Logistics data

Article name	Y 2 GG
Article number	353815
Delivery scope	Fill and air-release funnel
	Hydrolysis resistance PUR cast resin GG
	Packed in practical and easy-to-use two-chamber bags
	Transparent plastic shell
	PVC insulation tape
	Protective gloves
	Closing stops
	Assembly instructions
Shelf life	24 Month
Country of origin	Germany
Customs tariff number	39095090
EAN/GTIN	4010311171135

Packaging data

Alternative unit of measure	Case	Pal. OW
Base quantity	1	120
Base unit of measure	Piece	Piece
Lenght (mm)	306	1200
Width (mm)	210	800
Height (mm)	95	1130
Net weight (kg)	0.491	58.92
Gross weight (kg)	0.491	77.12