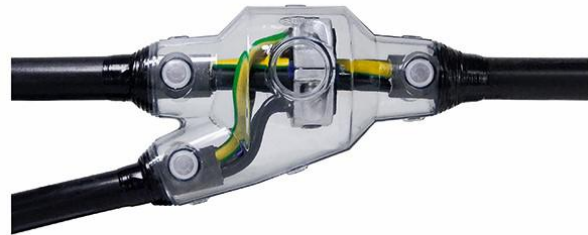


## Cast resin branch joint

for polymeric cables

Universally suitable for branching polymeric cables or conductors insulated with PVC, PE, XLPE and EPR (e.g. N(A)YY, NYM, TT) with or without concentric conductor. With hydrolysis resistance PUR cast resin EG. Suitable for branch clamps on copper and aluminium conductors.



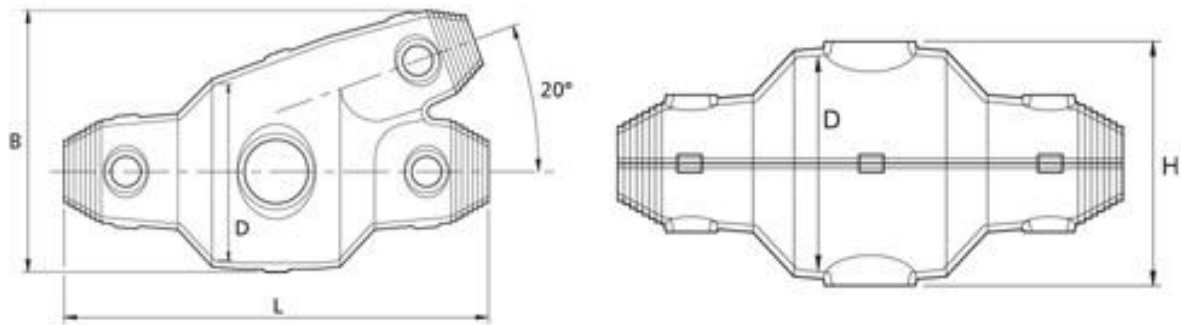
### Product description

Article name	Y 4.5 EG
Article number	131119
Notes	REACH Regulation on the restriction of diisocyanates (for EU countries only)The European Commission amended Annex XVII of the REACH Regulation (EC) (new number 74) with Regulation (EU) 2020/1149, which entered into force on 24 August 2020. In accordance with the new REACH Regulation, appropriate training will be required prior to the industrial or professional use of diisocyanates, adhesives and sealants as of 24 August 2023. All information regarding training materials and training courses is available on the ISOPA/ALIPA website <a href="https://www.safeusediisocyanates.eu/">https://www.safeusediisocyanates.eu/</a>
Optional accessory	Branch clamp HE 1/70/150 (see Connecting technology) Screw branch clamp AK (see Connecting technology) Cleaner UNIVERSAL CLEANER 121 (see Accessories) Branch clamp KP (see Connecting technology) Split bolt clamp FK (see Connecting technology)

Characteristics
Compact dimensions
High-quality transparent shockproof plastic shell
Resistant to chemical agents
Stabilized against UV rays
Resistant to alkaline earth elements
Longitudinally and transversely watertight
High electrical insulating values
High mechanical strength
Ready for immediate operation
Quick, safe and easy assembly
Large filler aperture to facilitate casting

Applications
Indoor
Outdoor
Underground
Water
Installation ducts

## Technical data



Article name	Y 4.5 EG
Article number	131119
Voltage levels	U0/U (Um) 0,6/1 (1,2) kV
Test standards	EN 50393
Length L	335 mm
Width B	193 mm
Height H	130 mm
Diameter D	120 mm
Diameter cable Main cable max	56 mm
Diameter cable Branch cable max	42 mm
Nominal cross section Main cable Polymeric cable unarmoured per conductor 3x max	150 mm <sup>2</sup>
Nominal cross section Branch cable Polymeric cable unarmoured per conductor 3x max	70 mm <sup>2</sup>
Nominal cross section Main cable Polymeric cable unarmoured per conductor 4x max	150 mm <sup>2</sup>
Nominal cross section Branch cable Polymeric cable unarmoured per conductor 4x max	70 mm <sup>2</sup>
Nominal cross section Main cable Polymeric cable unarmoured per conductor 5x max	120 mm <sup>2</sup>
Nominal cross section Branch cable Polymeric cable unarmoured per conductor 5x max	70 mm <sup>2</sup>
Nominal cross section Main cable Polymeric cable with concentric conductor per conductor 3x max	120 mm <sup>2</sup>

## Logistics data

Article name	Y 4.5 EG
Article number	131119
Delivery scope	Fill and air-release funnel
	Hydrolysis resistance PUR cast resin EG
	Packed in practical and easy-to-use two-chamber bags
	Transparent plastic shell
	PVC insulation tape
	Protective gloves
	Closing stops
	Assembly instructions
Shelf life	40 Month
Country of origin	Germany
Customs tariff number	39095090
EAN/GTIN	4010311053912

## Packaging data

Alternative unit of measure	Case	Pal. OW
Base quantity	1	30
Base unit of measure	Piece	Piece
Length (mm)	489	1200
Width (mm)	251	800
Height (mm)	195	1130
Net weight (kg)	3.379	101.37
Gross weight (kg)	3.379	119.57