

Connection and branch box

with clamps and non-labelled cast resin

The connection and branch box combines the advantages of a traditional box with the well-known professional cast resin technology. Complex connections in a very small volume can be done with this universal box. The system guarantees an absolute waterproof protection, excluding all condensation risks.



Product description

Article name	Universal Box CG 250 ml
Article number	420083
Notes	Type CG cast resin refills may be ordered separately.
Optional accessory	Cleaner UNIVERSAL CLEANER 121 (see Accessories)

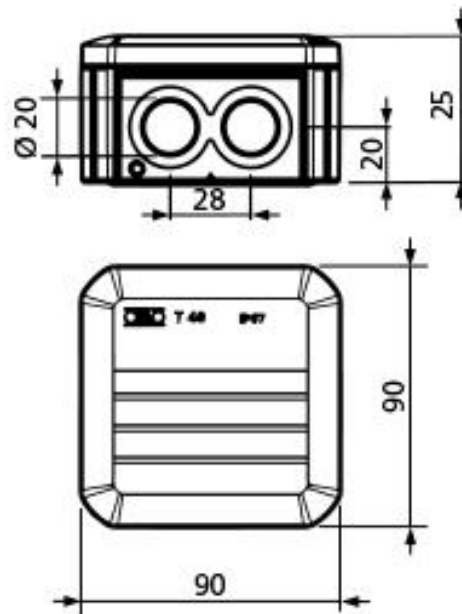
Characteristics

OBO BETTERMANN branch box with plug-in seal
Practical connection and branch box with 7 x M20 membran entries
Protection class: IP68 with cast resin
Halogen-free
UV-resistant branch box
5-pole clamps for conductor crosssections of 0.5 - 2.5 mm ²
Free hazardous labelling (isocyanate and silicon free)
Not harmful to the environment
High flexibility due to removable cast resin
Translucent before and after curing
Cable retaining rings for additional stabilisation of the cable
Withstands long-term exposure to moisture

Applications

Indoor areas (also with high humidity levels)
Outdoor
Underground

Technical data



Article name	Universal Box CG 250 ml
Article number	420083
Voltage levels	230/400 V
Test standards	IEC 60529
	EN 50393
Length L	90 mm
Width B	90 mm
Height H	52 mm
Nominal cross section Polymeric cable unarmoured per conductor min	0.5 mm ²
Nominal cross section Polymeric cable unarmoured per conductor max	2.5 mm ²
Diameter cable max	20 mm

Logistics data

Article name	Universal Box CG 250 ml
Article number	420083
Delivery scope	2-component hydrocarbon resin CG
	Packed in practical and easy-to-use two-chamber bags
	Box with membranentries
	5 Clamps 5-pole 0.5 - 2.5 mm ²
	12 cable retaining rings CP-Z1
	Funnel for easy vertical filling
	Emery cloth
	Assembly instructions
Shelf life	24 Month
Storage temperatur max	30 °C
Storage temperatur min	15 °C
Country of origin	Germany
Customs tariff number	39095090
EAN/GTIN	4010311191423

Packaging data

Packaging type	Case	Pal. EU
Content quantity	1	256
Unit of measure	Piece	Piece
Lenght (mm)	275	1200
Width (mm)	191	800
Height (mm)	60	1130
Net weight (kg)	0.476	121.856
Gross weight (kg)	0.476	150.856