

Cast resin branch joint

for polymeric cables

Universally suitable for branching polymeric cables or conductors insulated with PVC, PE, XLPE and EPR (e.g. N(A)YY, NYM, TT) with or without concentric conductor. With hydrolysis resistance PUR cast resin EG. Suitable for branch clamps on copper and aluminium conductors.



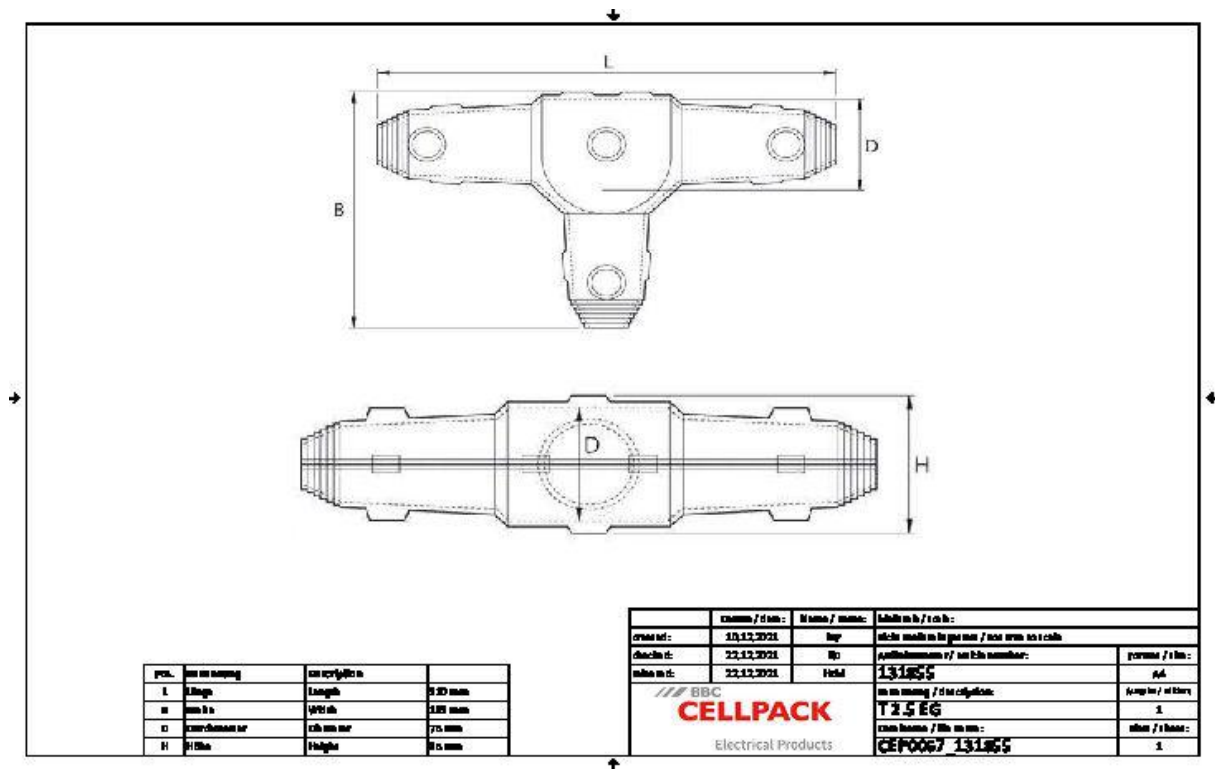
Product description

Article name	T 2.5 EG
Article number	131855
Notes	REACH Regulation on the restriction of diisocyanates (for EU countries only)The European Commission amended Annex XVII of the REACH Regulation (EC) (new number 74) with Regulation (EU) 2020/1149, which entered into force on 24 August 2020. In accordance with the new REACH Regulation, appropriate training will be required prior to the industrial or professional use of diisocyanates, adhesives and sealants as of 24 August 2023. All information regarding training materials and training courses is available on the ISOPA/ALIPA website https://www.safeusediisocyanates.eu/
Optional accessory	Screw branch clamp AK (see Connecting technology) Cleaner UNIVERSAL CLEANER 121 (see Accessories) Branch clamp KP (see Connecting technology) Split bolt clamp FK (see Connecting technology)

Characteristics
Compact dimensions
High-quality transparent shockproof plastic shell
Resistant to chemical agents
Stabilized against UV rays
Resistant to alkaline earth elements
Longitudinally and transversely watertight
High electrical insulating values
High mechanical strength
Ready for immediate operation
Quick, safe and easy assembly
Large filler aperture to facilitate casting

Applications
Indoor
Outdoor
Underground
Water
Installation ducts

Technical data



Article name	T 2.5 EG
Article number	131855
Voltage levels	U0/U (Um) 0,6/1 (1,2) kV
Test standards	EN 50393
Length L	310 mm
Width B	183 mm
Height H	85 mm
Diameter D	75 mm
Nominal cross section Main cable	Polymeric cable unarmoured per conductor 3x max
Nominal cross section Branch cable	Polymeric cable unarmoured per conductor 3x max
Nominal cross section Main cable	Polymeric cable unarmoured per conductor 4x max
Nominal cross section Branch cable	Polymeric cable unarmoured per conductor 4x max
Nominal cross section Main cable	Polymeric cable unarmoured per conductor 5x max
Nominal cross section Branch cable	Polymeric cable unarmoured per conductor 5x max
Nominal cross section Main cable	Polymeric cable with concentric conductor per conductor 3x max
Nominal cross section Main cable	Polymeric cable with concentric conductor per conductor 4x max
Nominal cross section Branch cable	Polymeric cable with concentric conductor per conductor 4x max
Diameter cable max	37 mm

Logistics data

Article name	T 2.5 EG
Article number	131855
Delivery scope	Fill and air-release funnel
	Hydrolysis resistance PUR cast resin EG
	Packed in practical and easy-to-use two-chamber bags
	Transparent plastic shell
	PVC insulation tape
	Protective gloves
	Assembly instructions
Shelf life	40 Month
Country of origin	Germany
Customs tariff number	39095090
EAN/GTIN	4010311117065

Packaging data

Alternative unit of measure	Case	Pal. OW
Base quantity	1	70
Base unit of measure	Piece	Piece
Length (mm)	422	1200
Width (mm)	234	800
Height (mm)	90	1130
Net weight (kg)	1.713	119.91
Gross weight (kg)	1.713	138.11