

Heat shrinkable straight-through joint

for cable systems E90

For connecting security cables type NHXH and NHXCH, anywhere where they are required, for example, in power plants, chemical plants, public buildings, airports, tunnels, off-shore installations, fire alarm systems, stairwells, elevator shafts. Suitable for compression connectors.



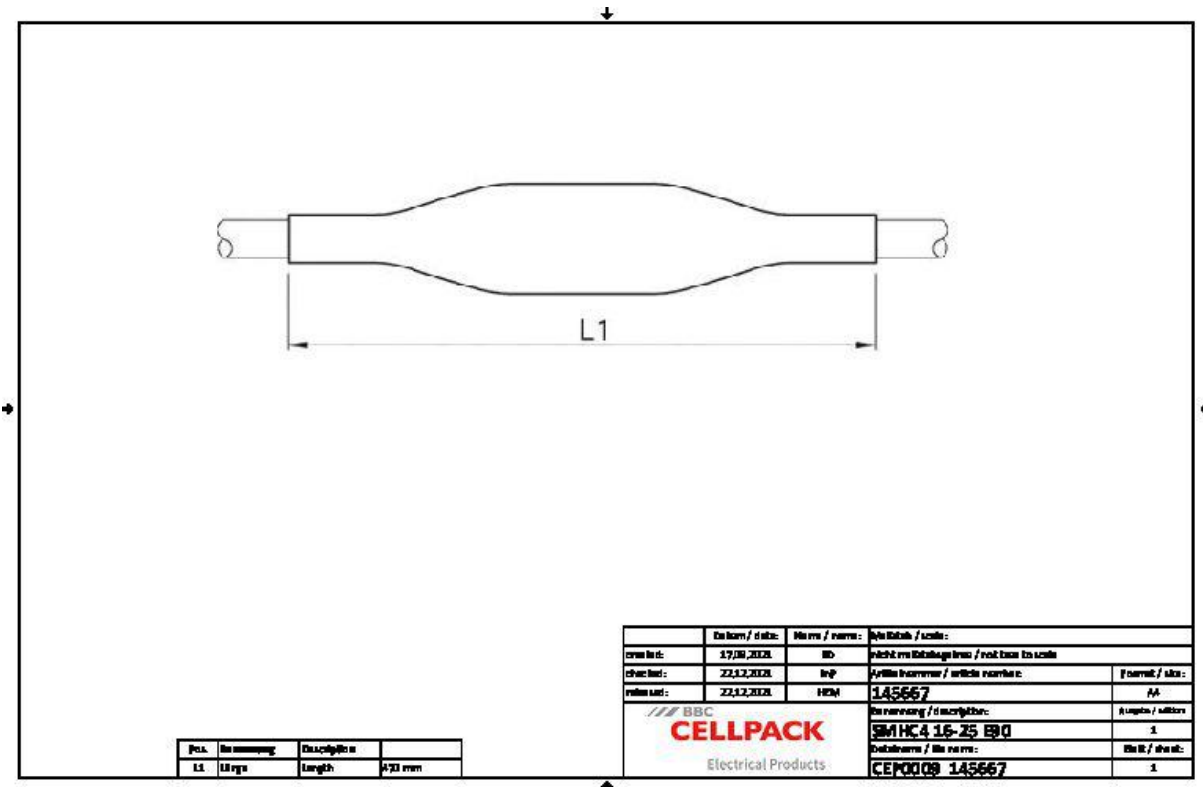
Product description

Article name	SMHC4 16-25 E90
Article number	145667
Optional accessory	Compression connectors (see Connecting technology)

Characteristics
Compact dimensions
Resistant to chemical agents
Resistant to alkaline earth elements
Stabilized against UV rays
Fire-resistant (see tests)
Free from paint-wetting inhibiting substances
Halogen-free
Transversely waterproof
High electrical insulating values
Low smoke and gas emission

Applications
Indoor
Outdoor
Underground
Installation ducts
Ductwork

Technical data



Pos.	Bezeichnung	Einzelgröße	
L1	Länge	470 mm	

En laam / d'ata:	Muura / raama:	Arvutab / aade:
17.09.2023	10	Arvutab / aade / arvutab / aade
22.12.2023	10	Arvutab / aade / arvutab / aade
22.12.2023	10	145667
BBC CELLPACK Electrical Products		Arvutab / aade / arvutab / aade SMHC4 16-25 E90 Arvutab / aade / arvutab / aade CEP000 145667

Article name	SMHC4 16-25 E90
Article number	145667
Voltage levels	U0/U (Um) 0,6/1 (1,2) kV
Test standards	DIN VDE 0472-814
	DIN 4102-12
	IEC 60331
	IEC 60332
Length L1	470 mm
Nominal cross section Polymeric cable with concentric conductor per conductor 4x min	16 mm ²
Nominal cross section Polymeric cable with concentric conductor per conductor 4x max	25 mm ²

Logistics data

Article name	SMHC4 16-25 E90
Article number	145667
Delivery scope	Outer sleeve
	Inner sleeves
	Insulating tubes
	Cleaning tissue
	Emery cloth
	Assembly instructions
Shelf life description	Unlimited shelf life
Country of origin	Germany
Customs tariff number	39173900
EAN/GTIN	4010311021485

Packaging data

Alternative unit of measure	Bag1
Base quantity	1
Base unit of measure	Piece
Length (mm)	709
Width (mm)	226
Height (mm)	90
Net weight (kg)	0.442
Gross weight (kg)	0.442