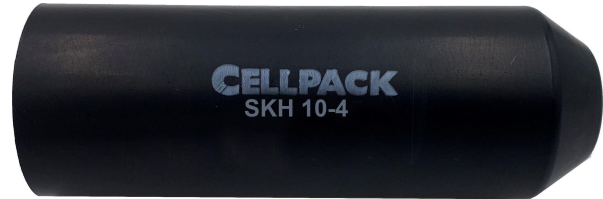


Heat shrinkable end cap

with adhesive

Heat shrinkable end caps SKH with adhesive for protection against humidity and pressure for cables, conductors and pipes with a diameter of 5 - 105 mm.



Product description

Article name	SKH 10-4
Article number	125345
Notes	Recovered dimension after shrinking

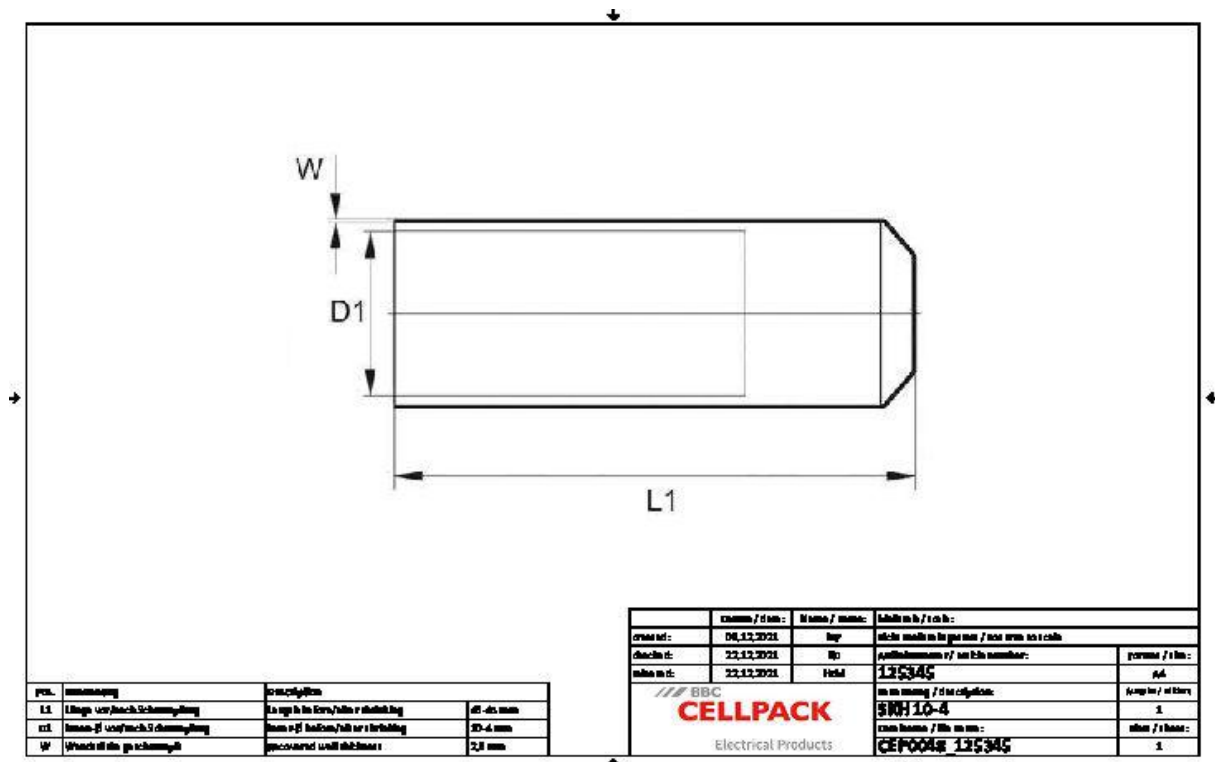
Characteristics

Resistant to chemical agents
Stabilized against UV rays
Free from paint-wetting inhibiting substances
Halogen-free
Superior electrical properties
Pressure-tight
High mechanical strength
100 % waterproof

Applications

Protection against moisture and pressure for cables, conductors and pipes

Technical data



Article name	SKH 10-4
Article number	125345
Test standards	IEC 62677-3-101
Materials	Cross-linked polyolefin Free of lead and cadmium
Selection Note	with adhesive
Length L1	46 mm
Length L1*	45 mm
Colours	black
Inner diameter before shrinking (mm)	10 mm
Inner diameter after shrinking (mm)	4 mm
Recovered wall thickness	2.9 mm
Elongation at break	300 %
Elongation at break (associated standard)	IEC 62677-3-101
Tensile strength at break	10 MPa
Tensile strength at break (associated standard)	IEC 62677-3-101
Operating temperature range min	-40 °C
Operating temperature range max	100 °C
Operating temperature range (associated standard)	IEC 62677-3-101
Shrinkage temperature	> 110 °C
Burning behaviour	not self-extinguishing
Burning behaviour (associated standard)	IEC 62677-3-101
Flexibility at low temperatures	-40 °C
Flexibility at low temperatures (associated standard)	IEC 62677-3-101
Thermal ageing (168 h at 150 °C): Elongation at break	200 %
Thermal ageing (168 h bei 150 °C): Tensile strength at break	8 MPa
Thermal ageing (168 h bei 150 °C) (associated standard)	IEC 62677-3-101
Specific volume resistivity	10 ¹⁴ Ω cm
Specific volume resistivity (associated standard)	IEC 62677-3-101
Dielectric strength	10 kV/mm

Dielectric strength (associated standard)	IEC 60243-1
Corrosion	none
Corrosion (associated standard)	IEC 62677-3-101
Resistance to fungus and decay	Rate 1
Resistance to fungus and decay (associated standard)	ISO 846

Logistics data

Article name	SKH 10-4
Article number	125345
Delivery scope	Heat shrinkable end cap
Shelf life description	Unlimited shelf life
Country of origin	India
Customs tariff number	39174000
EAN/GTIN	4010311048536

Packaging data

Alternative unit of measure	Bag	Carton
Base quantity	10	500
Base unit of measure	Piece	Piece
Length (mm)	220	425
Width (mm)	160	255
Height (mm)	40	160
Net weight (kg)	0.03	1.5
Gross weight (kg)	0.035	1.8