

3-core indoor cable termination

for armoured 3-core polymeric cables up to 7.2 kV

Cable terminations SEEV for indoor applications are suitable to cover armoured 3-core polymeric cables (PVC, PE, XLPE, EPR) without semi-conductive layer. Suitable for compression or screw cable lugs.



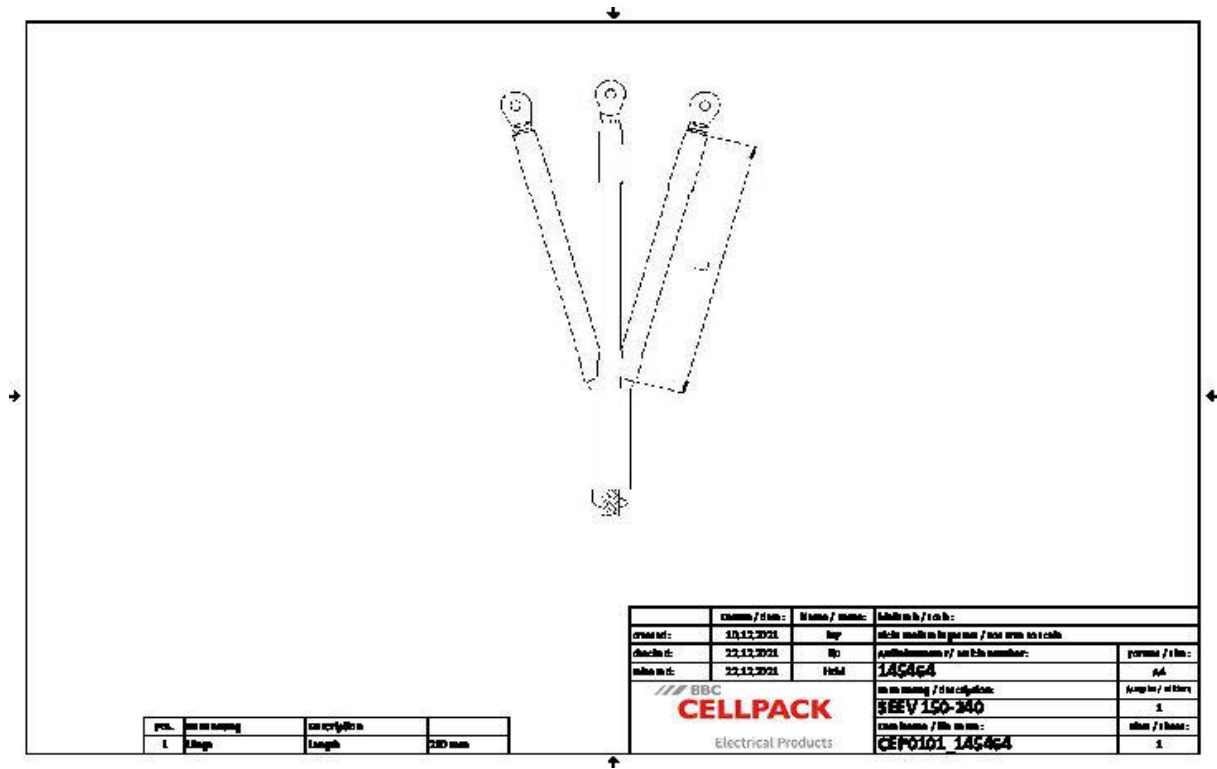
Product description

Article name	SEEV 150-240
Article number	145464
Optional accessory	Cable lugs (see Connecting technology)

Characteristics
Compact dimensions
Wide conductor and cross-section range
High mechanical strength
Quick, safe and easy assembly

Applications
Indoor

Technical data



Article name	SEEV 150-240
Article number	145464
Voltage levels	U0/U (Um) 3,6/6 (7,2) kV - 3,8/6,6 (7,2) kV
Length L	280 mm
Nominal cross section Polymeric cable armoured min	150 mm ²
Nominal cross section Polymeric cable armoured max	240 mm ²

Logistics data

Article name	SEEV 150-240
Article number	145464
Delivery scope	Core insulating tubes (tracking resistant)
	Spreader cap
	Filling tape
	Earthing accessories
	Sealing tape
	Assembly instructions
Shelf life description	Unlimited shelf life
Country of origin	Germany
Customs tariff number	39173900
EAN/GTIN	4010311004860

Packaging data

Alternative unit of measure	Bag1
Base quantity	1
Base unit of measure	Piece
Length (mm)	363
Width (mm)	278
Height (mm)	122
Net weight (kg)	0.844
Gross weight (kg)	0.844