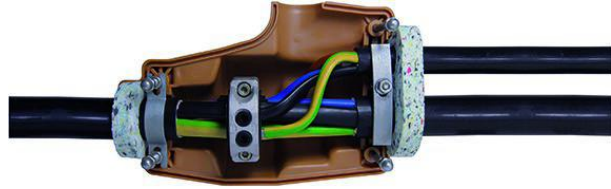


## Cast resin branch joint

with strain relief for polymeric cables and mass-impreg. paper cables

Universally suitable for branching polymeric cables insulated with PVC, PE, XLPE and paper (e.g. N(A)YY, N(A)KBA, GN-CLN, TT) with or without concentric conductor and mass-impregnated paper cables. With hydrolysis resistance PUR cast resin GG. Suitable for branch clamps on copper and aluminium conductors.



### Product description

Article name	P 5 GG
Article number	329567
Optional accessory	For size 2...4 branch clamp KP (see Connecting technology)
	For size 5...7 branch clamp HE 1/70/150 (see Connecting technology)
	Cleaner UNIVERSAL CLEANER 121 (see Accessories)

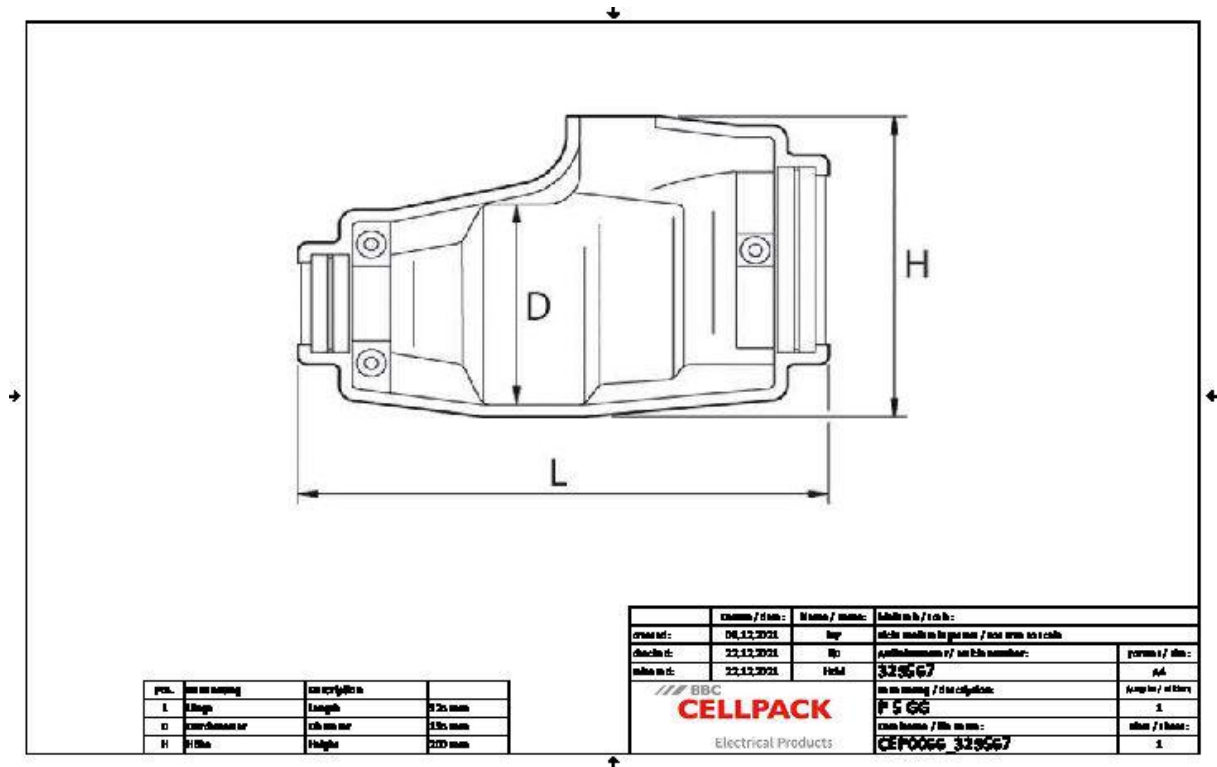
#### Characteristics

Compact design
Integrated strain relief
High-quality brown shockproof plastic shell
Resistant to chemical agents
Stabilized against UV rays
Resistant to alkaline earth elements
Longitudinally and transversely watertight
High electrical insulating values
High mechanical strength
Ready for immediate operation
Quick, safe and easy assembly
Large filler aperture to facilitate casting
Integrated strain relief

#### Applications

Indoor
Outdoor
Underground
Water
Installation ducts

Technical data



Article name	P 5 GG
Article number	329567
Voltage levels	U0/U (Um) 0,6/1 (1,2) kV
Test standards	EN 50393
Length L	325 mm
Height H	200 mm
Diameter D	135 mm
Diameter cable Main cable min	37 mm
Diameter cable Main cable max	54 mm
Diameter cable Branch cable min	20 mm
Diameter cable Branch cable max	36 mm
Nominal cross section Main cable Polymeric cable unarmoured per conductor 4x min	95 mm <sup>2</sup>
Nominal cross section Main cable Polymeric cable unarmoured per conductor 4x max	150 mm <sup>2</sup>
Nominal cross section Branch cable Polymeric cable unarmoured per conductor 4x min	16 mm <sup>2</sup>
Nominal cross section Branch cable Polymeric cable unarmoured per conductor 4x max	50 mm <sup>2</sup>

## Logistics data

Article name	P 5 GG
Article number	329567
Delivery scope	Sealing gaskets
	Hydrolysis resistance PUR cast resin GG
	Packed in practical and easy-to-use two-chamber bags
	Plastic shell with integrated strain relief
	Hexagon head screws and nuts
	Assembly instructions
Shelf life	24 Month
Country of origin	Germany
Customs tariff number	39095090
EAN/GTIN	4010311162676

## Packaging data

Alternative unit of measure	Case	Pal. EU
Base quantity	1	33
Base unit of measure	Piece	Piece
Length (mm)	357	1200
Width (mm)	207	800
Height (mm)	319	1130
Net weight (kg)	4.981	164.373
Gross weight (kg)	4.981	193.373