

Cast resin branch joint

with strain relief for polymeric cables and mass-impreg. paper cables

Universally suitable for branching polymeric cables insulated with PVC, PE, XLPE and paper (e.g. N(A)YY, N(A)KBA, GN-CLN, TT) with or without concentric conductor and mass-impregnated paper cables. With hydrolysis resistance PUR cast resin EG. Suitable for branch clamps on copper and aluminium conductors.



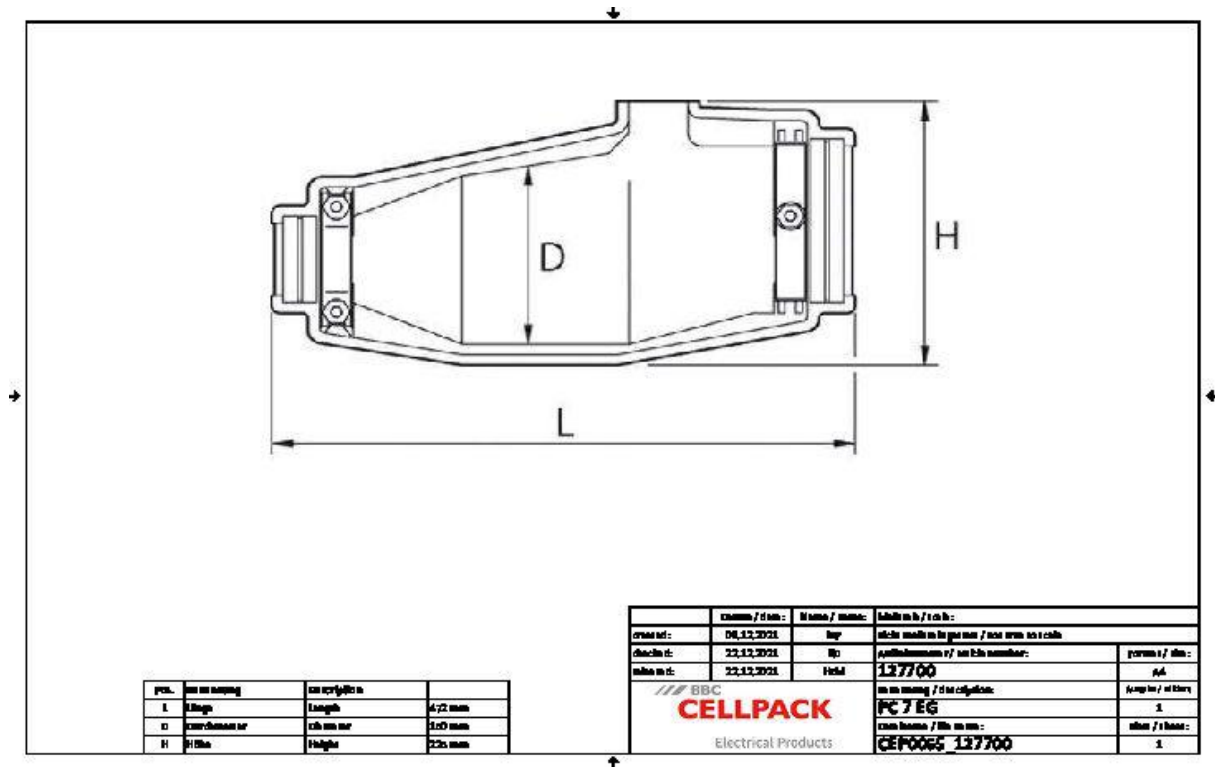
Product description

Article name	PC 7 EG
Article number	127700
Notes	REACH Regulation on the restriction of diisocyanates (for EU countries only)The European Commission amended Annex XVII of the REACH Regulation (EC) (new number 74) with Regulation (EU) 2020/1149, which entered into force on 24 August 2020. In accordance with the new REACH Regulation, appropriate training will be required prior to the industrial or professional use of diisocyanates, adhesives and sealants as of 24 August 2023. All information regarding training materials and training courses is available on the ISOPA/ALIPA website https://www.safeusediisocyanates.eu/
Optional accessory	For size 2...4 branch clamp KP (see Connecting technology) For size 5...7 branch clamp HE 1/70/150 (see Connecting technology) Cleaner UNIVERSAL CLEANER 121 (see Accessories)

Characteristics
Compact design
Integrated strain relief
High-quality brown shockproof plastic shell
Resistant to chemical agents
Stabilized against UV rays
Resistant to alkaline earth elements
Longitudinally and transversely watertight
High electrical insulating values
High mechanical strength
Ready for immediate operation
Quick, safe and easy assembly
Large filler aperture to facilitate casting
Integrated strain relief

Applications
Indoor
Outdoor
Underground
Water
Installation ducts

Technical data



Article name	PC 7 EG
Article number	127700
Voltage levels	U0/U (Um) 0,6/1 (1,2) kV
Test standards	EN 50393
Length L	472 mm
Height H	225 mm
Diameter D	150 mm
Diameter cable Main cable min	40 mm
Diameter cable Main cable max	59 mm
Diameter cable Branch cable min	40 mm
Diameter cable Branch cable max	50 mm
Nominal cross section Main cable Polymeric cable unarmoured per conductor 4x min	150 mm ²
Nominal cross section Main cable Polymeric cable unarmoured per conductor 4x max	240 mm ²
Nominal cross section Branch cable Polymeric cable unarmoured per conductor 4x min	50 mm ²
Nominal cross section Branch cable Polymeric cable unarmoured per conductor 4x max	95 mm ²
Nominal cross section Main cable Polymeric cable with concentric conductor per conductor 3x min	150 mm ²
Nominal cross section Main cable Polymeric cable with concentric conductor per conductor 3x max	185 mm ²
Nominal cross section Main cable Polymeric cable with concentric conductor per conductor 4x min	150 mm ²
Nominal cross section Main cable Polymeric cable with concentric conductor per conductor 4x max	185 mm ²
Nominal cross section Branch cable Polymeric cable with concentric conductor per conductor 4x min	50 mm ²
Nominal cross section Branch cable Polymeric cable with concentric conductor per conductor 4x max	95 mm ²

Logistics data

Article name	PC 7 EG
Article number	127700
Delivery scope	Sealing gaskets
	Hydrolysis resistance PUR cast resin EG
	Packed in practical and easy-to-use two-chamber bags
	Plastic shell with integrated strain relief
	Hexagon head screws and nuts
	Assembly instructions
Shelf life	40 Month
Country of origin	Germany
Customs tariff number	39095090
EAN/GTIN	4010311003535

Packaging data

Alternative unit of measure	Case	Pal. EU
Base quantity	1	18
Base unit of measure	Piece	Piece
Length (mm)	574	1200
Width (mm)	235	800
Height (mm)	312	1130
Net weight (kg)	8.332	149.976
Gross weight (kg)	8.332	175.976