

## Cast resin straight-through joint for polymeric cables

Universally suitable for connecting polymeric cables or conductors insulated with PVC, PE, XLPE and EPR (e.g. N(A)YY, NYM, TT). With hydrolysis resistance PUR cast resin EG. Suitable for compression or screw connectors on copper and aluminium conductors.



### Product description

Article name	M 13 S
Article number	124171
Notes	<p>Armour continuity kit for armoured cable available on request.</p> <p>REACH Regulation on the restriction of diisocyanates (for EU countries only)The European Commission amended Annex XVII of the REACH Regulation (EC) (new number 74) with Regulation (EU) 2020/1149, which entered into force on 24 August 2020. In accordance with the new REACH Regulation, appropriate training will be required prior to the industrial or professional use of diisocyanates, adhesives and sealants as of 24 August 2023. All information regarding training materials and training courses is available on the ISOPA/ALIPA website <a href="https://www.safeusediisocyanates.eu/">https://www.safeusediisocyanates.eu/</a></p>
Optional accessory	<p>Cleaner UNIVERSAL CLEANER 121 (see Accessories)</p> <p>Connectors (see Connecting technology)</p>

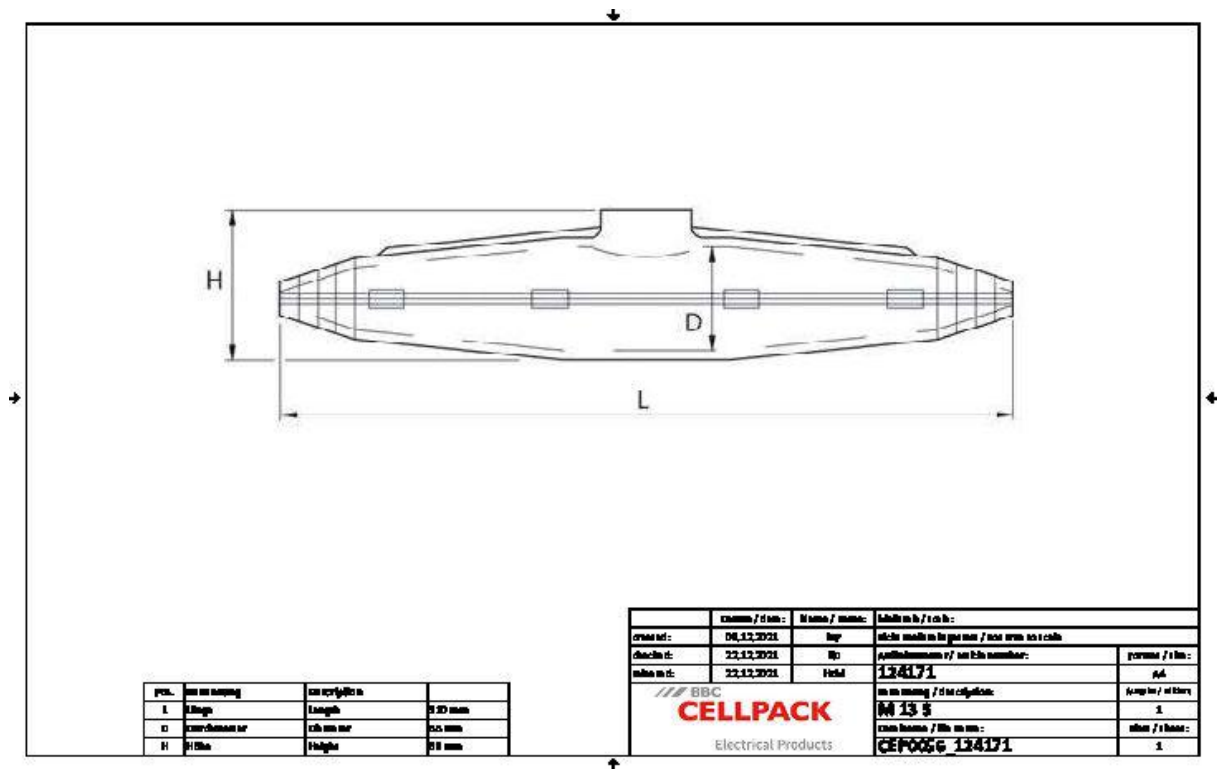
#### Characteristics

Compact dimensions
Splice area visible before casting
High-quality transparent shockproof plastic shell
Resistant to chemical agents
Stabilized against UV rays
Resistant to alkaline earth elements
Longitudinally and transversely watertight
High electrical insulating values
High mechanical strength
Ready for immediate operation
Quick, safe and easy assembly
Large filler aperture to facilitate casting

#### Applications

Indoor
Outdoor
Underground
Water
Installation ducts

Technical data



Article name	M 13 S
Article number	124171
Voltage levels	U0/U (Um) 0,6/1 (1,2) kV
Test standards	EN 50393
Length L	310 mm
Height H	68 mm
Diameter D	55 mm
Nominal cross section Polymeric cable unarmoured per conductor 1x max	240 mm <sup>2</sup>
Nominal cross section Polymeric cable unarmoured per conductor 3x max	35 mm <sup>2</sup>
Nominal cross section Polymeric cable unarmoured per conductor 4x max	35 mm <sup>2</sup>
Nominal cross section Polymeric cable unarmoured per conductor 5x max	25 mm <sup>2</sup>
Diameter cable max	43 mm
Nominal cross section Polymeric cable with concentric conductor per conductor 3x max	35 mm <sup>2</sup>
Nominal cross section Polymeric cable with concentric conductor per conductor 4x max	25 mm <sup>2</sup>
Nominal cross section Polymeric cable armoured per conductor 4x max	25 mm <sup>2</sup>

## Logistics data

Article name	M 13 S
Article number	124171
Delivery scope	Hydrolysis resistance PUR cast resin EG Packed in practical and easy-to-use two-chamber bags Transparent plastic shell Cover Spacers PVC insulation tape Protective gloves Assembly instructions
Shelf life	40 Month
Storage temperatur max	35 °C
Storage temperatur min	15 °C
Country of origin	Germany
Customs tariff number	39095090
EAN/GTIN	4010311000145

## Packaging data

Alternative unit of measure	Case	Pal. EU
Base quantity	1	140
Base unit of measure	Piece	Piece
Lenght (mm)	379	1200
Width (mm)	210	800
Height (mm)	67	1130
Net weight (kg)	1.07	149.8
Gross weight (kg)	1.07	176.14