

## Fastening elements

for cable ties

Self-adhesive cable tie-fastening elements, good adhesion on smooth surfaces.



### Product description

Article name	KZB2K 4
Article number	146484

#### Characteristics

Adhesive film to facilitate installation in hard-to-reach areas

Resistant to water, cleaning agents and alcohol

Conditionally resistant to aliphatic and aromatic solvents

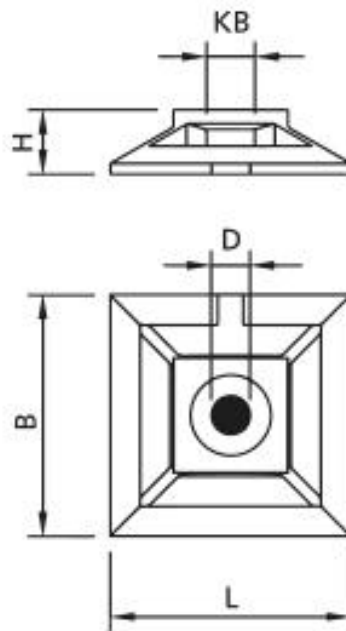
Self-extinguishing

#### Applications

Affixing of cable ties

Prefabrication or subsequent assembly e.g. of office equipment, lifts, motor vehicles and control cubicles

Technical data



Article name	KZB2K 4
Article number	146484
Materials	Polyamide 6.6
Cable tie width max	4 mm
Length L	19 mm
Width B	19 mm
Height H	4.5 mm
Diameter D	4.75 mm
Colours	natural color

## Logistics data

Article name	KZB2K 4
Article number	146484
Delivery scope	100 Cable tie-fastening elements
Country of origin	Italy
Customs tariff number	39269097
EAN/GTIN	4010311007618

## Packaging data

Packaging type	Bag	Carton
Content quantity	100	4000
Unit of measure	Piece	Piece
Length (mm)	225	410
Width (mm)	110	310
Height (mm)	15	315
Net weight (kg)	0.1	4
Gross weight (kg)	0.105	4.3