

Gel straight-through joint

with connection block

Universally suitable for connecting 2-core polymeric cables (e.g. NYM-J, H03VVF, H05RR-F, HO7RN-F), cross section range from 0.5 mm² to 1.5 mm². Suitable for aluminium and copper conductors.



Product description

Article name	EASYCELL COMPACT 1C-V
Article number	472575
Copyright	EASYCELL is a registered trademark of BBC Cellpack GmbH

Characteristics

Connector area completely sealed by gel
Re-accessible and ready for immediate operation
New snap closing system (IP68), no cable ties required
New 2-pole spring connection block, does not require any tool

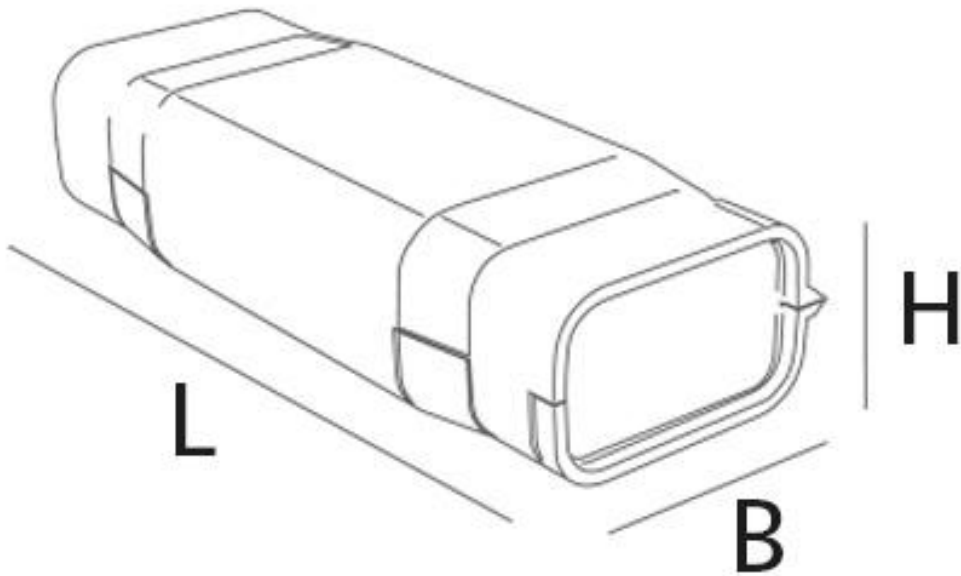
High-quality shockproof plastic shells, flame retardant and UV-resistant

Quick, safe and easy assembly

Applications

Indoor
Outdoor
Underground without loads
Cable ducts and cable racks

Technical data



Article name	EASYCELL COMPACT 1C-V
Article number	472575
Voltage levels	450 V
	24 A
Test standards	DIN EN IEC VDE 60670-1
Connector type	Spring connection block
Number of connector	2 Pieces
Length L	68 mm
Width B	24 mm
Height H	22 mm
Nominal cross section Polymeric cable unarmoured per conductor 2x min	0.5 mm ²
Nominal cross section Polymeric cable unarmoured per conductor 2x max	1.5 mm ²
Diameter cable min	4.5 mm
Diameter cable max	6.5 mm
IP protection class	IP68

Logistics data

Article name	EASYCELL COMPACT 1C-V
Article number	472575
Delivery scope	Gel straight-through joint Spring connection block Installation instruction
Shelf life description	Unlimited shelf life
Country of origin	Italy
Customs tariff number	85369010
EAN/GTIN	4010311204338

Packaging data

Packaging type	Case	Carton	Pal. OW
Content quantity	1	24	2520
Unit of measure	Piece	Piece	Piece
Length (mm)	170	250	1200
Width (mm)	57	210	800
Height (mm)	37	180	1200
Net weight (kg)	0.046	1.104	115.92
Gross weight (kg)	0.046	1.404	134.12