

## Elbow separable connector

for polymeric cables for outer cone system terminals type B

Cellplux elbow separable connectors CWS are suitable for connecting all polymeric- insulated 1-core cables (VPE, (H)EPR), with different types of semiconductive layers (graphite-coated or strippable) and screen design (wire or tape screen), to switching equipment and transformers having an outer cone system type B, up to maximum network voltage of 36 kV in accordance with EN 50180 and EN 50181.



### Product description

Article name	CWS 400A 36kV 35-95 EGA
Article number	250726
Notes	Separable connectors for alternative cross-sections and for class 5 conductors on request
Optional accessory	EGA earthing kit for cables with tape screen (see Connecting technology)

#### Characteristics

With capacitive measuring point for voltage checking  
Suitable for various cone voltage sensors  
Routine tests (AC test, PD measurement, X-ray control)

Outer semi-conductive layer made of semi-conductive EPDM provides protection from exposed electrical parts

Cable sheath insulation fault test may be performed while under voltage

For both copper and aluminium conductors

Quick, safe and easy assembly

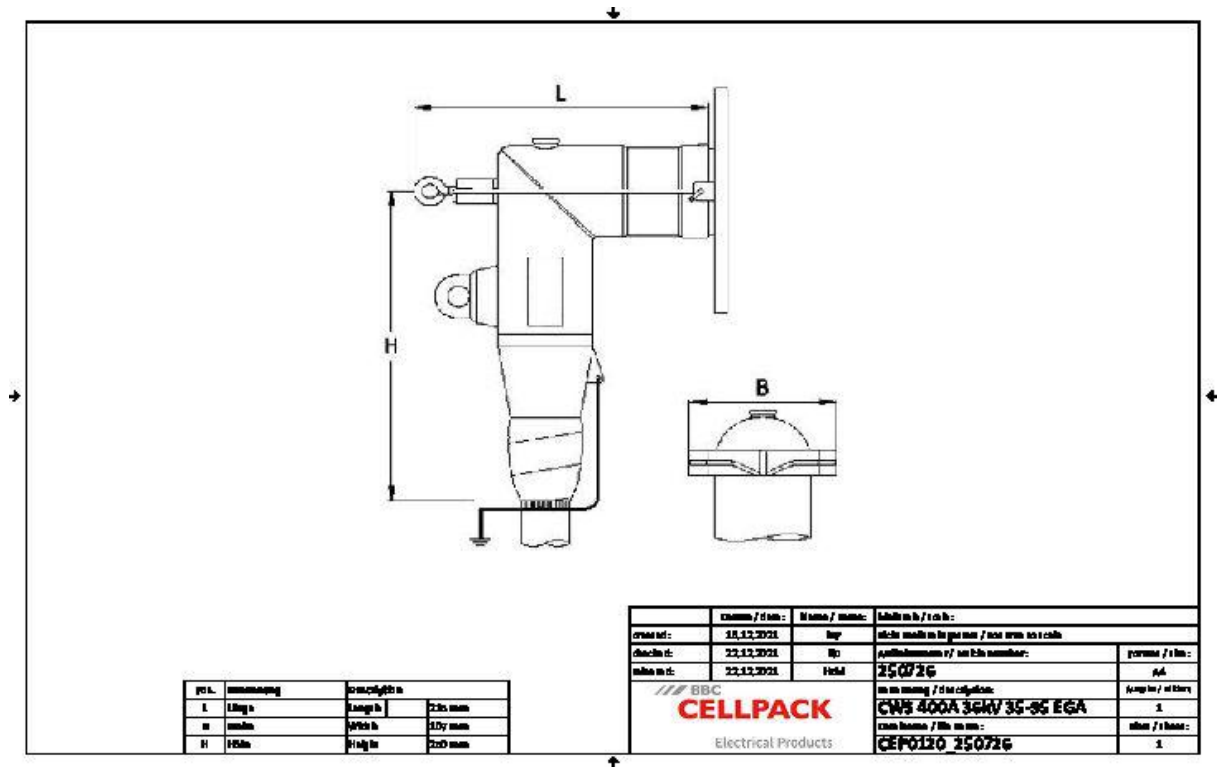
Suitable for a wide range of applications due to integrated screw cable lug

#### Applications

Indoor

Outdoor

Technical data



Article name	CWS 400A 36kV 35-95 EGA
Article number	250726
Voltage levels	U0/U (Um) 6/10 (12) kV - 19/33 (36) kV U0/U (Um) 12/20 (24) kV - 19/33 (36) kV
Test standards	CENELEC HD 629.1
Length L	215 mm
Width B	107 mm
Height H	250 mm
Diameter over core insulation after removal of the outer conductive layer min	22 mm
Nominal cross section 24 kV min	95 mm <sup>2</sup>
Nominal cross section 24 kV max	95 mm <sup>2</sup>
Nominal cross section 36 kV min	35 mm <sup>2</sup>
Nominal cross section 36 kV max	95 mm <sup>2</sup>

## Logistics data

Article name	CWS 400A 36kV 35-95 EGA
Article number	250726
Delivery scope	Set of 3 separable connectors
	Silicone field control elements
	Earthing set
	Screw cable lugs for main conductor
	Assembly material
	Assembly instructions
Shelf life description	Unlimited shelf life
Storage temperatur max	50 °C
Storage temperatur min	0 °C
Country of origin	Germany
Customs tariff number	85479000
EAN/GTIN	4010311134116

## Packaging data

Alternative unit of measure	Carton	Pal. OW
Base quantity	1	32
Base unit of measure	Piece	Piece
Lenght (mm)	377	1200
Width (mm)	291	800
Height (mm)	237	1130
Net weight (kg)	5.24	167.68
Gross weight (kg)	5.24	185.88