

## T-shaped separable connector

for polymeric cables for outer cone system terminals type C

Cellplux screwable T-shaped separable connectors CTS are suitable for connecting all polymeric-insulated 1-core cables (PVC, PE, XLPE, EPR), with different types of semi-conductive layers (graphite-coated or strippable) and screen design (wire or tape screen) to switching equipment and transformers having an outer cone system type C, up to maximum network voltage of 36 kV in accordance with EN 50180 and EN 50181.



### Product description

Article name	CTS 1250A 24kV 400-630 EGA M12 KS
Article number	309283
Notes	Separable connectors for alternative cross-sections and for class 5 conductors on request
Optional accessory	EGA earthing kit for cables with tape screen (see Connecting technology)

#### Characteristics

With capacitive measuring point for voltage checking

Individually tested

Outer semi-conductive layer made of semi-conductive EPDM provides protection from exposed electrical parts

Cable sheath insulation fault test may be performed while under voltage

For both copper and aluminium conductors

Quick, safe and easy assembly

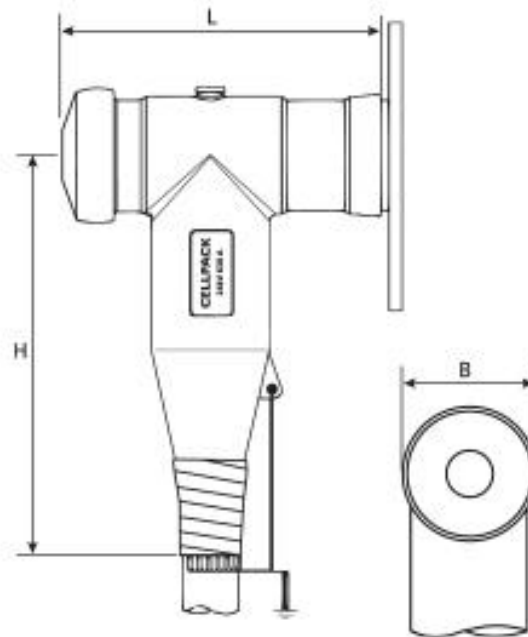
Suitable for a wide range of applications due to integrated screw cable lug

#### Applications

Indoor

Outdoor

## Technical data



Article name	CTS 1250A 24kV 400-630 EGA M12 KS
Article number	309283
Voltage levels	U0/U (Um) 6/10 (12) kV - 12,7/22 (24) kV
Test standards	CENELEC HD 629.1
Length L	205 mm
Width B	87 mm
Height H	310 mm
Diameter over core insulation after removal of the outer conductive layer min	33.4 mm
Diameter over core insulation after removal of the outer conductive layer max	44.2 mm
Nominal cross section 12 kV min	500 mm <sup>2</sup>
Nominal cross section 12 kV max	630 mm <sup>2</sup>
Nominal cross section 17,5 kV min	400 mm <sup>2</sup>
Nominal cross section 17,5 kV max	630 mm <sup>2</sup>
Nominal cross section 24 kV min	400 mm <sup>2</sup>
Nominal cross section 24 kV max	630 mm <sup>2</sup>

## Logistics data

Article name	CTS 1250A 24kV 400-630 EGA M12 KS
Article number	309283
Delivery scope	Set of 3 separable connectors
	Silicone field control elements
	Earthing set
	Assembly material
	Screw cable lugs for main conductor
	Screw cable lug for wire screen
	Assembly instructions
Shelf life description	Unlimited shelf life
Country of origin	Germany
Customs tariff number	85479000
EAN/GTIN	4010311158235

## Packaging data

Alternative unit of measure	Carton	Pal. OW
Base quantity	1	32
Base unit of measure	Piece	Piece
Length (mm)	369	1200
Width (mm)	279	800
Height (mm)	217	1130
Net weight (kg)	10.329	330.528
Gross weight (kg)	10.629	348.728