

Screw cable lug for Cu and Al

longitudinally sealed for low and medium voltage

Screw cable lug for RM/SM/RE/SE aluminium and copper conductors, suitable for indoor and outdoor terminations.



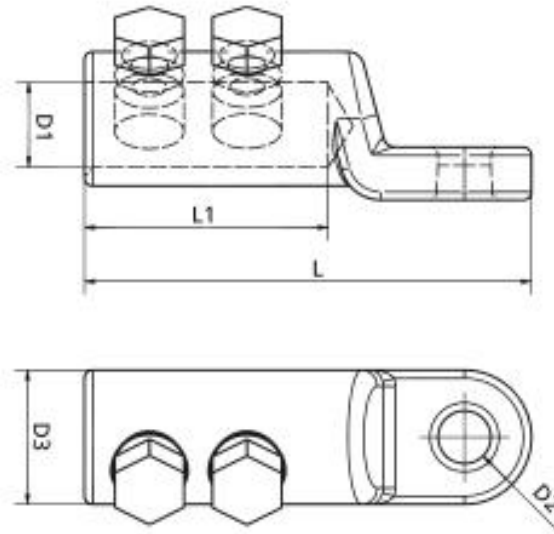
Product description

Article name	CSK 16-95
Article number	374491
Notes	BBC Cellpack counter-holder recommended for installation (see Accessories). Application according to AWG, ISWG and BWG standards on request.

Applications

For connecting conductors RM/SM (class 2), RE/SE (class 1) according to DIN EN/IEC 60228 (VDE 0295)

Technical data



Article name	CSK 16-95
Article number	374491
Test standards	IEC 61238-1
Materials	Aluminium tin-plated
Length L	65 mm
Length L1	30 mm
Diameter D1	12.5 mm
Diameter D2	13 mm
Diameter D3	22 mm
Number of bolts	1 Pieces

Logistics data

Article name	CSK 16-95
Article number	374491
Delivery scope	Screw cable lug
	Installation instruction
Country of origin	Czech Republic
Customs tariff number	85369010
EAN/GTIN	4010311185354

Packaging data

Packaging type	Bag1	Carton
Content quantity	1	40
Unit of measure	Piece	Piece
Length (mm)	79	290
Width (mm)	73	200
Height (mm)	27	100
Net weight (kg)	0.04	1.6
Gross weight (kg)	0.04	1.9