

1-core indoor cable termination

with screw cable lugs for 1-core polymeric cables

Hybrid cable terminations CHESK-I are suitable for all 1-core polymeric-insulated cables (PVC, PE, XLPE, EPR) with different types of semi-conductive layers (graphitecoated, removable or strippable) and screen design (copper wire or tape). With screw cable lugs for main conductor and copper wire screen.



Product description

Article name	CHESK-I 24kV 95-240
Article number	309525
Notes	Can be used also for cables $U_m = 7,2$ kV, then the minimum diameter over conductor insulation has to be checked.
Optional accessory	EGA earthing kit for cables with tape screen (see Connecting technology)

Characteristics

Flexible silicone stress control elements ensure reliable stress control under all operating conditions

Combination of slip-on and heat shrinkable components

Wide cross-section range

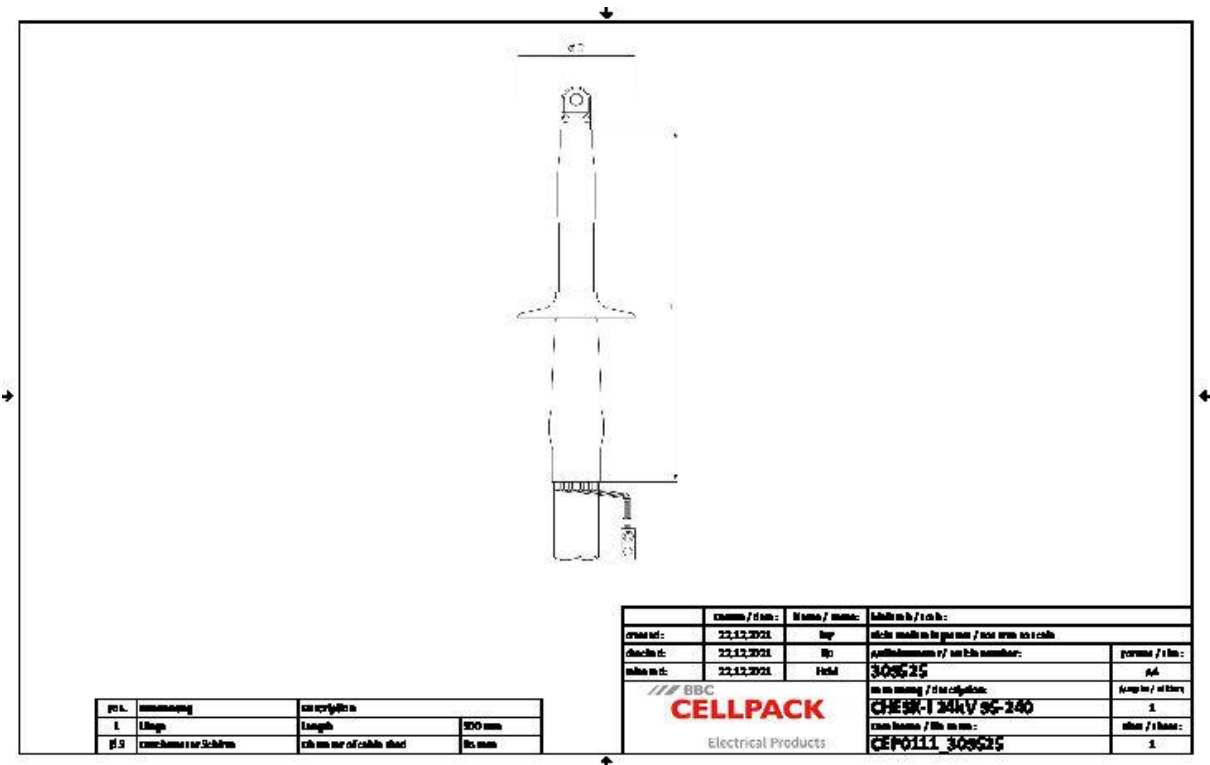
Quick, safe and easy assembly

Ready for immediate operation

Applications

Indoor

Technical data



Article name	CHESK-I 24kV 95-240
Article number	309525
Voltage levels	U0/U (Um) 12/20 (24) kV - 12,7/22 (24) kV
Test standards	CENELEC HD 629.1
Length L	300 mm
Diameter over core insulation after removal of the outer conductive layer min	19.9 mm
Number of sheds per phase	1 Pieces
Diameter shed	85 mm
Nominal cross section 24 kV min	95 mm²
Nominal cross section 24 kV max	240 mm²

Logistics data

Article name	CHESK-I 24kV 95-240
Article number	309525
Delivery scope	Heat shrinkable tube (tracking resistant)
	Silicone field control elements
	Silicone sheds
	Screw cable lugs
	1 Set for 3 phases
	Sealing tape
	Assembly material
	Assembly instructions
Shelf life description	Unlimited shelf life
Country of origin	Germany
Customs tariff number	85469090
EAN/GTIN	4010311160764

Packaging data

Alternative unit of measure	Carton	Pal. OW
Base quantity	1	84
Base unit of measure	Piece	Piece
Length (mm)	385	1200
Width (mm)	193	800
Height (mm)	135	1130
Net weight (kg)	2.275	191.1
Gross weight (kg)	2.275	209.3