

3-core indoor cable termination

with screw cable lugs for 3-core polymeric cables

Hybrid cable terminations CHESK-3I(A) are suitable for all 3-core polymeric insulated cables (PVC, PE, XLPE, EPR) with different types of semi-conductive layers (graphite-coated, removable or strippable) and screen design (copper wire or tape). With screw cable lugs.



Product description

Article name	CHESK-3I(A) 24kV 240-400
Article number	309808
Notes	Can be used also for cables $U_m = 7,2$ kV, then the minimum diameter over conductor insulation has to be checked.
Optional accessory	EGA earthing kit for cables with tape screen (see Connecting technology)

Characteristics

Flexible silicone stress control elements ensure reliable stress control under all operating conditions

Combination of slip-on and heat shrinkable components

Wide cross-section range

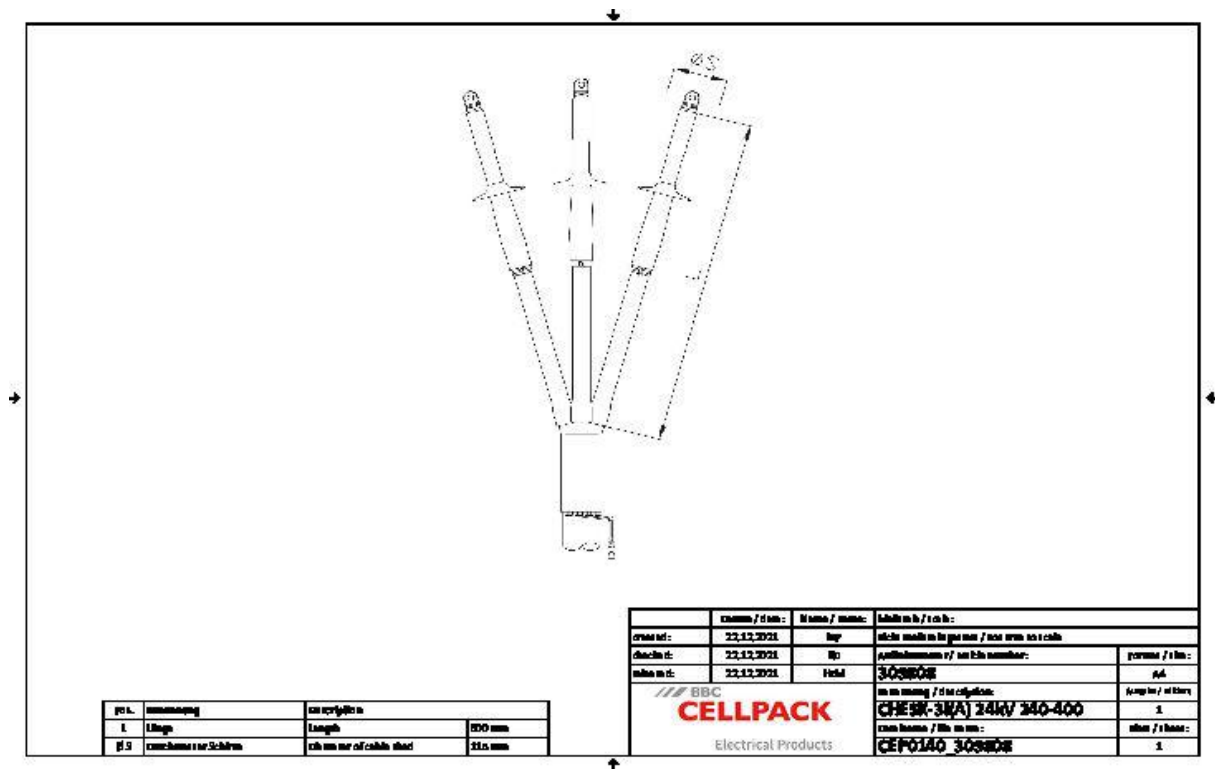
Quick, safe and easy assembly

Ready for immediate operation

Applications

Indoor

Technical data



Article name	CHESK-3I(A) 24kV 240-400
Article number	309808
Voltage levels	U0/U (Um) 12/20 (24) kV - 12,7/22 (24) kV
Test standards	CENELEC HD 629.1
Length L	600 mm
Diameter over core insulation after removal of the outer conductive layer min	27.3 mm
Number of sheds per phase	1 Pieces
Diameter shed	115 mm
Nominal cross section 17,5 kV min	240 mm ²
Nominal cross section 17,5 kV max	400 mm ²
Nominal cross section 24 kV min	240 mm ²
Nominal cross section 24 kV max	400 mm ²

Logistics data

Article name	CHESK-3I(A) 24kV 240-400
Article number	309808
Delivery scope	Spreader cap
	Heat shrinkable tube (tracking resistant)
	Heat shrinkable tube medium-walled
	Silicone field control elements
	Silicone sheds
	Binding wire
	Sealing tape
	Assembly material
	Screw cable lugs
	Assembly instructions
Shelf life description	Unlimited shelf life
Country of origin	Germany
Customs tariff number	85469090
EAN/GTIN	4010311162645

Packaging data

Alternative unit of measure	Carton	Pal. OW
Base quantity	1	84
Base unit of measure	Piece	Piece
Length (mm)	435	1200
Width (mm)	175	800
Height (mm)	175	1130
Net weight (kg)	2.766	232.344
Gross weight (kg)	2.766	250.544