

Screw branch clamp Al-Cu

for cast resin straight-through and branch

Screw branch clamps suitable for connecting and branching aluminium and copper conductors.



Product description

Article name	AK 25-35
Article number	446315
Notes	Main cable must not be cut.

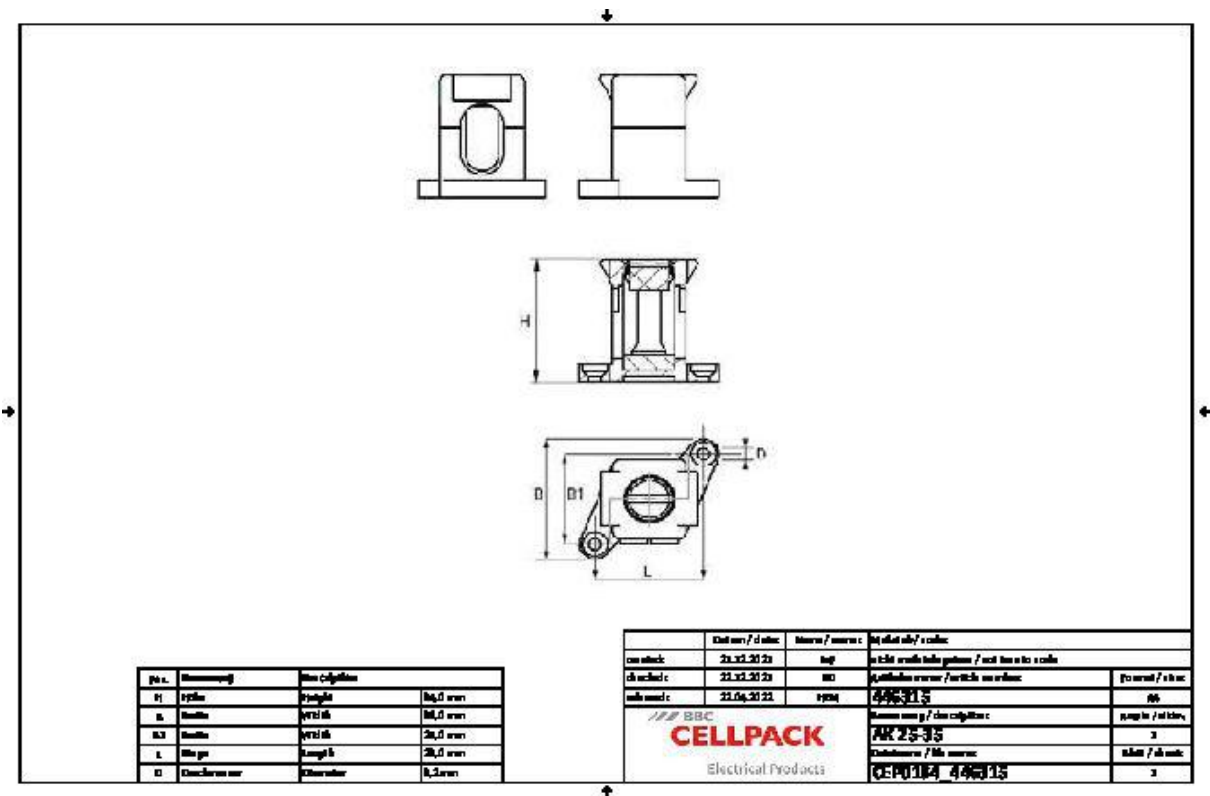
Characteristics

Brass clamp tin-plated

Divisible

Halogen-free

Technical data



Article name	AK 25-35
Article number	446315
Test standards	EN 60998-2
Selection Note	new
Nominal cross section solid main cable min	16 mm ²
Nominal cross section solid main cable max	35 mm ²
Nominal cross section solid branch cable min	16 mm ²
Nominal cross section solid branch cable max	35 mm ²
Nominal cross section stranded main cable min	10 mm ²
Nominal cross section stranded main cable max	25 mm ²
Nominal cross section stranded branch cable min	10 mm ²
Nominal cross section stranded branch cable max	25 mm ²
Tightening torque	2.5 Nm
Length L	28 mm
Width B	36 mm
Width B1	25 mm
Height H	34 mm
Diameter D	3.2 mm

Logistics data

Article name	AK 25-35
Article number	446315
Delivery scope	12 Screw branch clamps
Country of origin	Spain
Customs tariff number	85369010
EAN/GTIN	4010311198538

Packaging data

Alternative unit of measure	Bag1
Base quantity	1
Base unit of measure	Piece
Length (mm)	400
Width (mm)	150
Height (mm)	50
Net weight (kg)	0.447
Gross weight (kg)	0.447