

Screw branch clamp Al-Cu

for cast resin straight-through and branch

Screw branch clamps suitable for connecting and branching aluminium and copper conductors.



Product description

Article name	AK 10
Article number	446313
Notes	Main cable must not be cut.

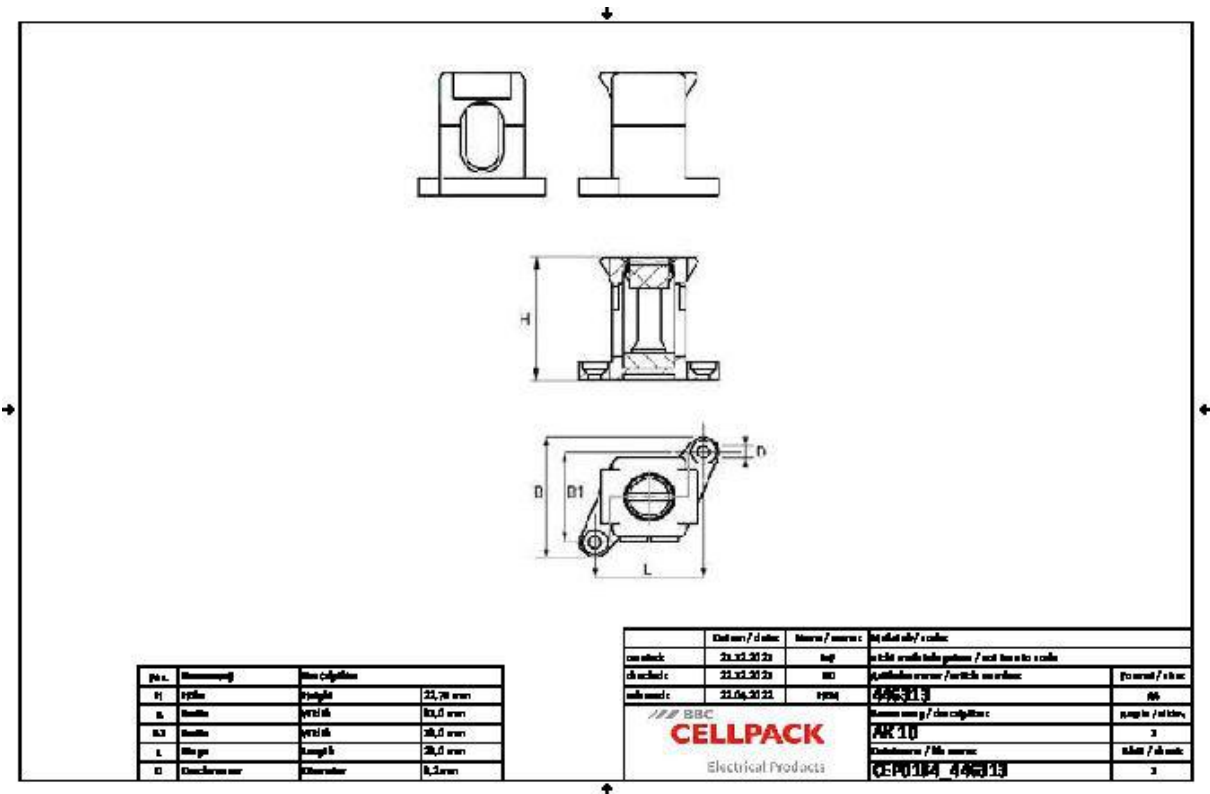
Characteristics

Brass clamp tin-plated

Divisible

Halogen-free

Technical data



Article name	AK 10
Article number	446313
Test standards	EN 60998-2
Selection Note	new
Nominal cross section solid main cable min	4 mm ²
Nominal cross section solid main cable max	10 mm ²
Nominal cross section solid branch cable min	4 mm ²
Nominal cross section solid branch cable max	10 mm ²
Nominal cross section stranded main cable min	4 mm ²
Nominal cross section stranded main cable max	6 mm ²
Nominal cross section stranded branch cable min	4 mm ²
Nominal cross section stranded branch cable max	6 mm ²
Tightening torque	1.2 Nm
Length L	23 mm
Width B	31 mm
Width B1	18 mm
Height H	22.75 mm
Diameter D	3.2 mm

Logistics data

Article name	AK 10
Article number	446313
Delivery scope	12 Screw branch clamps
Country of origin	Spain
Customs tariff number	85369010
EAN/GTIN	4010311198514

Packaging data

Alternative unit of measure	Bag1
Base quantity	1
Base unit of measure	Piece
Length (mm)	400
Width (mm)	150
Height (mm)	50
Net weight (kg)	0.147
Gross weight (kg)	0.147